



TECHNICAL DATASHEET

LS60

BATCH LIQUID SAMPLING

THE LS60 Liquid Sampler is an integrated syringe sampler and optical particle counting system with an easy-to-use Windows™ based software interface.

With a sample flow rate of 60 ml/min, the LS60 provides unprecedented measurement speed and accuracy. Using a high accuracy syringe pump flow control system and high volume sensor; it is the perfect tool for multiple batch sampling applications.

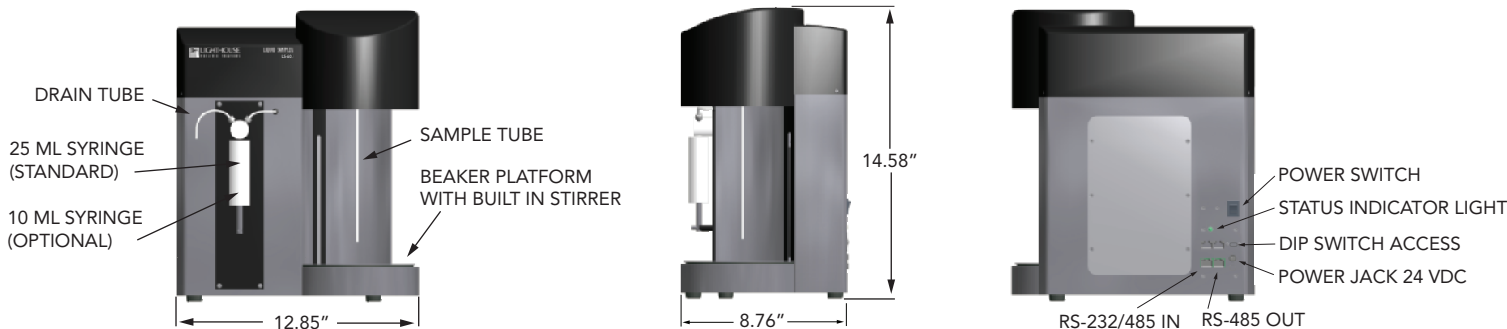
The LS60 is easy to configure and operate. Data is automatically recorded and easily available in real-time graph and tabular form. Reports can be preconfigured and printed at the touch of a key.



FEATURES

- 0.1 μm to 100 μm size range
- Integrated particle counter
- 8 channel sizes
- Windows™ based control software
- Sample volumes 1mL to 1 liter
- Syringe size options: 10 and 25mL
- Precise syringe pump flow control
- RS-485 MODBUS communication
- Stainless steel enclosure
- Built-in magnetic stirrer
- Compact footprint
- 2 year warranty





TECHNICAL DATASHEET

LS60 Batch Liquid Sampling Particle Counter

Features

Size Range	0.1 - 0.5 μm ; 0.2 - 2.0 μm ; 0.3 - 3.0 μm ; 0.5 - 100.0 μm
Channel Sizes	0.1, 0.15, 0.2, 0.25, 0.3, 0.35, 0.4, 0.5 μm 0.2, 0.3, 0.4, 0.5, 0.7, 1.0, 1.3, 2.0 μm 0.3, 0.5, 0.7, 1.0, 1.3, 2.0, 2.5, 3.0 μm 0.5, 1.0, 2.0, 5.0, 10.0, 25.0, 50.0, 100.0 μm
Number of Channels	8
Flow Rate	60 ml/min
Laser Source	Laser diode
Calibration	NIST traceable
Syringe Sizes	10 ml, 25 ml
Maximum Sample	1 liter
Communication Mode	RS-485 MODBUS
Wetted Components	Teflon (PFA), Quartz, Kalrez, Kel F, Polypropylene
Stirrer	Magnetic with adjustable speed
Connectors	RJ-45
Supporting Software	LS-60 software
Enclosure	Stainless steel
Power	100-240 VAC, 24 VDC
Dimensions	12.85"(l) x 8.75"(w) x 14.58"(h) [32.64 x 22.23 x 37.03 cm]
Weight	20.5 lbs (9.3 kg)

Environmental Conditions:

Operating: 50°F to 104°F (10°C to 40°C) / 20% to 95% non-condensing

Storage: 14°F to 122°F (-10°C to 50°C) / up to 98% non-condensing

Included

Operating manual on CD; LS-60 software; power supply; flow cell cleaning solution and brush; cable; RJ-45 to DB9 adapter; sample tubing; nut and ferrule kit; 500 mL beaker; magnetic stir bar, and carrying case with wheels.

Optional

Printed operating manual; 10mL syringe; 5-piece beaker set (50, 100, 250, 600, 1000 ml beakers); certificate of origin.

Distributed By:



Lighthouse Worldwide Solutions reserves the right to change specifications without notice.