



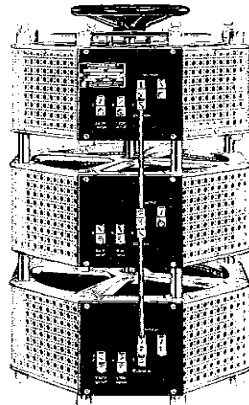
Advanced Test Equipment Rentals

www.atecorp.com 800-404-ATEC (2832)

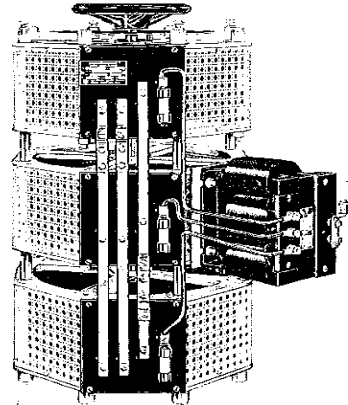
1156C-1256C series

TYPES 1156C-3P, 1256C-3Y, 15M1156C

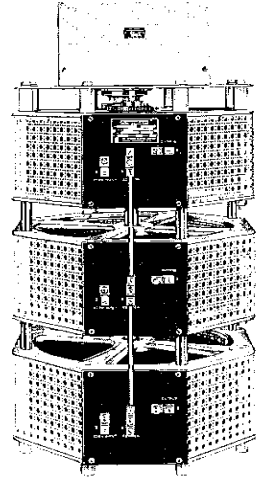
POWERSTAT® variable transformer



TYPE 1256C-3Y

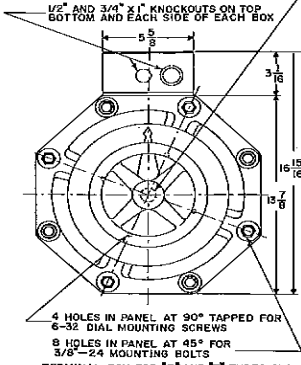
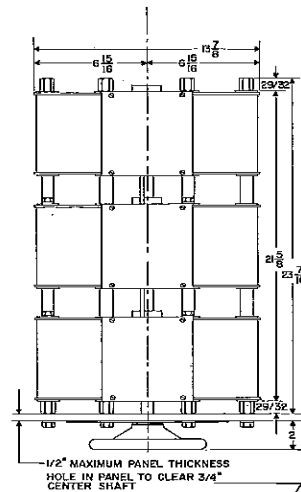


TYPE 1256C-3P

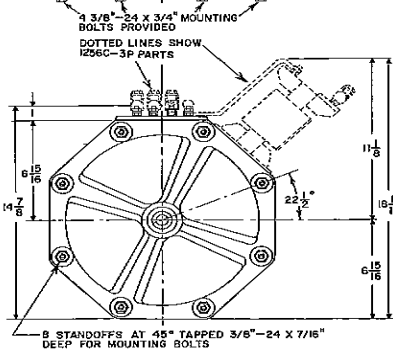
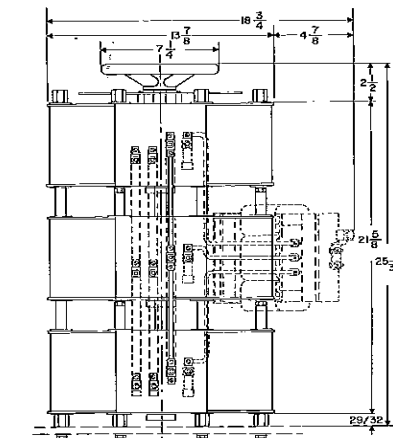


TYPE 15M1156C

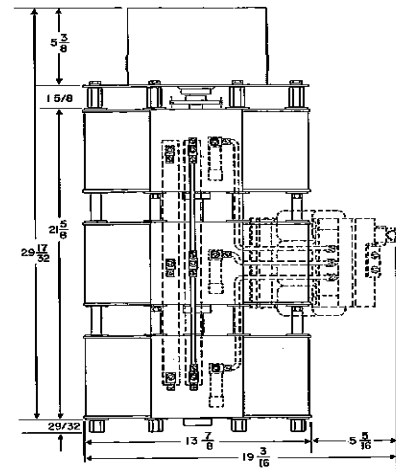
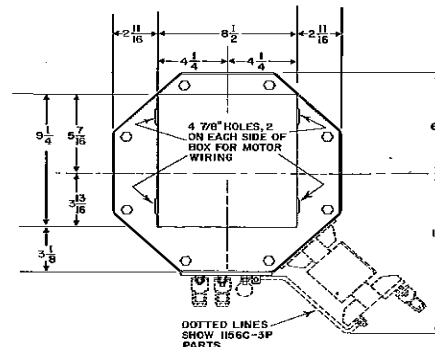
OUTLINE DIMENSIONS



PANEL MOUNTED



BENCH OR WALL MOUNTED



1156C DETAILS SHOWN
FOR MOUNTING, SEE MANUALLY-OPERATED UNIT MOTOR DRIVEN

CONNECTIONS AND RATINGS

TYPE	CONNECTION	KNOB ROTATION	INPUT			DIAGRAM	OUTPUT			
			VOLTS	CYCLES	TERMI- NALS		TERMINALS	MAX. AMPS.	VOLTS	MAX. KVA
1156C-3P M1156C-3P	1 PHASE PARALLEL	CW	120	50/60	1-2		1-C (Choke)	135.0	0-140	18.9
1156CL-3P M1156CL-3P§		CCW	120	50/60	1-2		1-C (Choke)	135.0	0-120	16.2
1256C-3P M1256C-3P	1 PHASE PARALLEL	CW	240	50/60	1-2		2-C (Choke)	135.0	0-120	16.2
		CCW	120	50/60	1-4		1-C (Choke)	84.0	0-280	23.5
1256CL-3P M1256CL-3P§	1 PHASE PARALLEL	CW	240	50/60	1-2		1-C (Choke)	84.0†	0-280	9.9††
		CCW	240	50/60	1-2		2-C (Choke)	84.0	0-240	20.2
		CW	120	50/60	1-4		1-C (Choke)	84.0†	0-240	9.7††
		CCW	120	50/60	2-4		2-C (Choke)	84.0†	0-240	9.7††

CW ROTATION SHOWN

1156C-3Y M1156C-3Y F1156C-3Y MF1156C-3Y 1156CT-3Y M1156CT-3Y	3 PHASE WYE	CW	240	60	2-2-2		JUMPER TERMI- NALS †	OUTPUT TERMI- NALS	1-1-1	3-3-3	45.0	0-280	21.8
1156CL-3Y M1156CL-3Y§ F1156CL-3Y MF1156CL-3Y§ 1156CLT-3Y M1156CLT-3Y§		3 PHASE WYE	CW	240	50/60				2-2-2	1-1-1	3-3-3	45.0	0-240
	CCW		240	50/60	1-1-1		2-2-2	3-3-3	45.0	0-240	18.7		

CW ROTATION SHOWN

1256C-3Y M1256C-3Y F1256C-3Y MF1256C-3Y 1256CT-3Y M1256CT-3Y	3 PHASE WYE	CW	480	60	2-2-2		JUMPER TERMI- NALS †	OUTPUT TERMI- NALS	1-1-1	3-3-3	28.0	0-560	27.2
		CW	240	60	4-4-4				1-1-1	3-3-3	28.0†	0-560	11.4††
1256CL-3Y M1256CL-3Y§ F1256CL-3Y MF1256CL-3Y§ 1256CLT-3Y M1256CLT-3Y§	3 PHASE WYE	CW	480	50/60	2-2-2		1-1-1	3-3-3	28.0	0-480	23.3		
		CCW	480	50/60	1-1-1		2-2-2	3-3-3	28.0	0-480	23.3		
		CW	240	50/60	4-4-4		1-1-1	3-3-3	28.0†	0-480	11.2††		
		CCW	240	50/60	4-4-4		2-2-2	3-3-3	28.0†	0-480	11.2††		

CW ROTATION SHOWN

FOOTNOTES

- *Fuses supplied on "F" and "P" type units: 45 ampere on 1156C types, 30 ampere on 1256C types.
- †Fuses recommended for all except "F" type units: 45 ampere for 1156C types, 30 ampere for 1256C types.
- §Motor driven units have CW rotation only.
- ‡Maximum output current in output voltage range from 0 to 25 percent above line voltage. At higher output voltages, output current must be reduced according to rating curve figure E on page 48.
- ††Maximum KVA at maximum output voltage. Maximum KVA at lower output voltages may be calculated from rating curve figure E on page 48.