

### FEATURES

Rack mounted system  
 Class AB linear GaN design  
 Instantaneous wide bandwidth  
 Suitable for all single channel modulation standards  
 Built-in protection circuits  
 High reliability and ruggedness



### ELECTRICAL SPECIFICATIONS

Parameter	Specification	Notes
Operating Frequency Range	700 MHz - 6.0 GHz	
Power Output @ Psat	300 Watt Typ	
Power Output @ P1dB GCP	200 Watt Min	CW
Power Gain	53 dB Min	
Power Gain Flatness	4 dB p-p Max	Constant input power
Gain Variation Over Temperature	±2.0 dB Max	
Input / Output Return Loss	10 dB Min	Relative to 50 Ohm
2-Tone Intermodulation (IMD)	-30 dBc Typ	43dBm/Tone, Δ = 1MHz
Harmonics	-20 dBc Typ	At rated output
Non Harmonic Spurious	-60 dBc Max	
Operating Voltage	180 - 240 VAC	
Power Consumption	3000 Watt Max	At rated output
Max Input Power Protection	+5 dBm	Without damage
Load VSWR Protection	∞ : 1	< 10 Sec

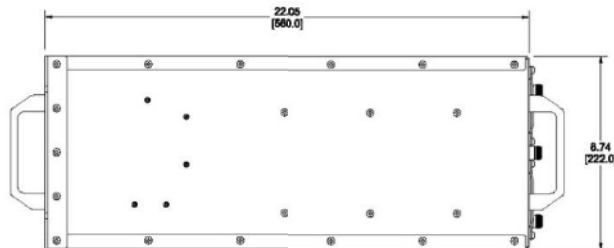
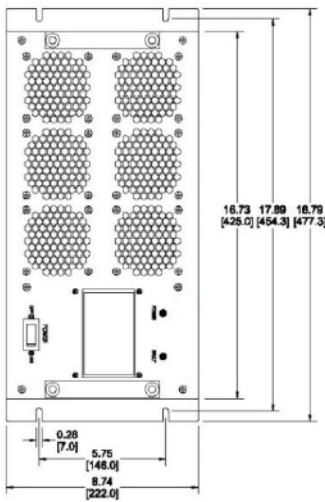
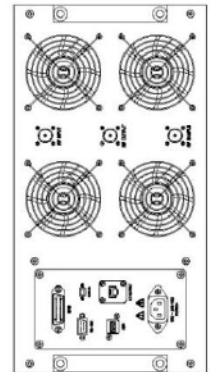
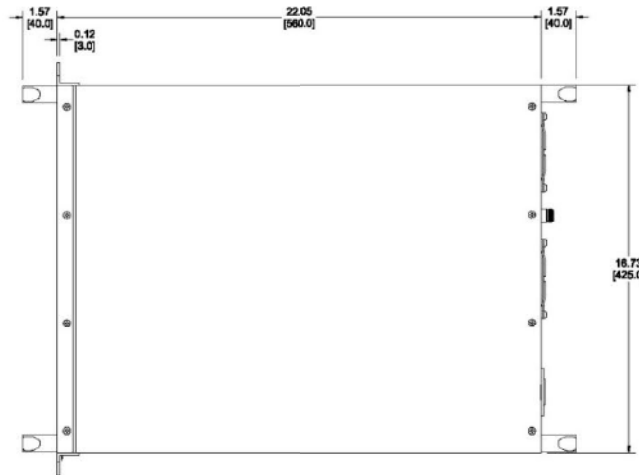
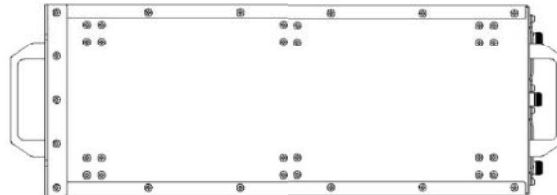
### ENVIRONMENTAL CHARACTERISTICS

Parameter	Specification	Notes
Operating Ambient Temperature	0 to +50 °C	
Storage Temperature	-40 to +85 °C	
Relative Humidity	5 to 95 %	Non Condensation

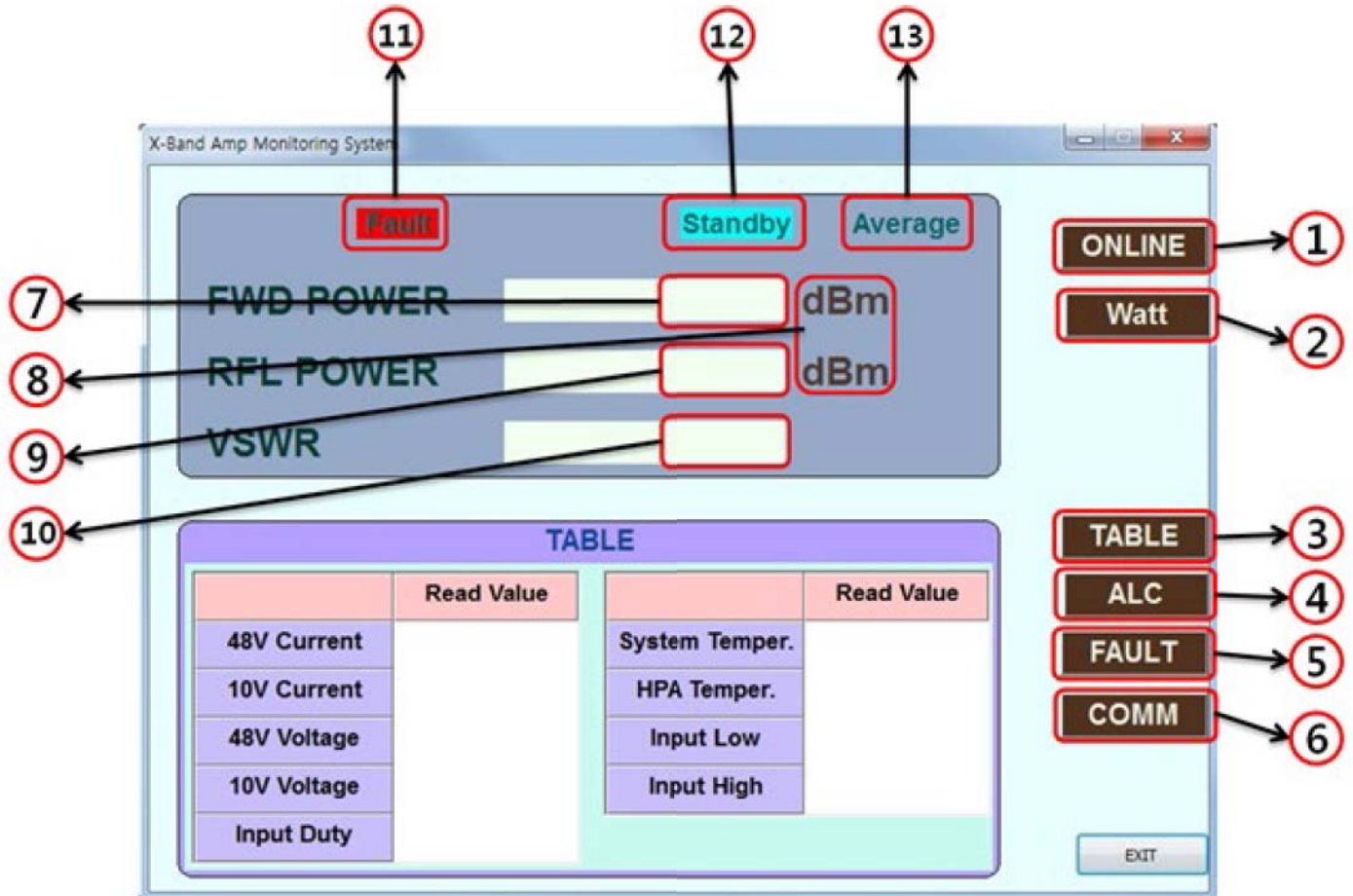
### MECHANICAL SPECIFICATIONS

Parameter	Specification	Notes
Dimensions W x H x D	R5U Rack Mount Chassis	See outline drawing
Weight	45 Kg. Max	
RF Connectors In/Out	Type-N Female	Front Panel Standard
AC Power	IEC 60320-C14 / 9-Pin D-Sub	Or equivalent
Cooling	Built in Fan Cooling	Variable speed
<b>OPTIONAL:</b> Digital Monitor & Control FWD, REV, VSWR, GAIN, ALC, V & I, TEMP	Ethernet RJ-45 TCP/IP, RS422/485 Optional GPIB Interface	Remote Bluetooth application

### OUTLINE DRAWING



### Basic Optional UI Display Interface



- 1) ONLINE/STANDBY: HPA ON/OFF.
- 2) Watt/dBm: OUTPUT POWER UNIT.
- 3) TABLE: HPA State Table.
- 4) ALC: Auto Level Control.
- 5) FAULT: Display alarm messages.
- 6) COMM: Set the communication method.
- 7) Display Forward Output Power dBm or W.
- 8) Output Power Unit dBm or W.
- 9) Display Reflected Output Power dBm or W.
- 10) Display VSWR Value.
- 11) Display Fault or Clear State.
- 12) Display Standby or Online State.
- 13) Display Output Power Average or Peak.