



Freedom Model LPH-100

Compact, Portable Load Bank
 100 KW



Rated for Continuous Operation

Compact, Portable, Easy to Transport and Operate

Large Load Capacity - up to 100 KW

Lightweight Aluminum and Aluminized Steel Enclosure with Casters

Convenient Operator Controls with Digital Metering and Data Logging Software Included



The Avtron Freedom Load Bank is a portable, self-contained AC resistive model designed for indoor use.

The Freedom Load Bank gives users the *freedom* of a high capacity load in an ultra-compact package. The load bank is available in three standard versions including:

- 1.) 100 KW at 480 VAC, 3 phase, 60 Hz and 93.75 KW at 240 VAC, 3 phase, 60 Hz or
- 2.) 100 KW at 208 VAC, 3 phase, 60 Hz or
- 3.) 50.5 KW at 208 VAC, 3 phase, 4 wire, 60 Hz

This versatile load bank weighs only 105 lbs. [48 kg] and is less than half the weight and size of traditional load banks of similar capacity. The load bank features horizontal air discharge to provide a low profile design. Quick-connect load terminals and simple operation allow the load bank to be set up and operated by

a single technician, saving valuable time in the field.

The load bank controls and cooling fans are powered by any standard 120 VAC, single phase wall outlet with detachable line cord provided. An integral control panel is provided for load bank operation and includes the necessary controls and status indicators.

The Freedom Load Bank features the new standard in Digital Metering which includes the Avtron Advanced Digital Monitoring System (ADMS™). The ADMS meter provides faceplate digital display of Volts, Amps, Frequency, and KW. The Communicator EXT™ Data Logging Software allows Real Time Data Acquisition and trending of all meter parameters from your Laptop PC or PDA. An Infrared/USB

interface cable is included for "Plug and Play" convenience.

The Freedom Load Bank is ideal for routine testing and maintenance of AC power sources such as stand-by emergency generators and UPS systems.

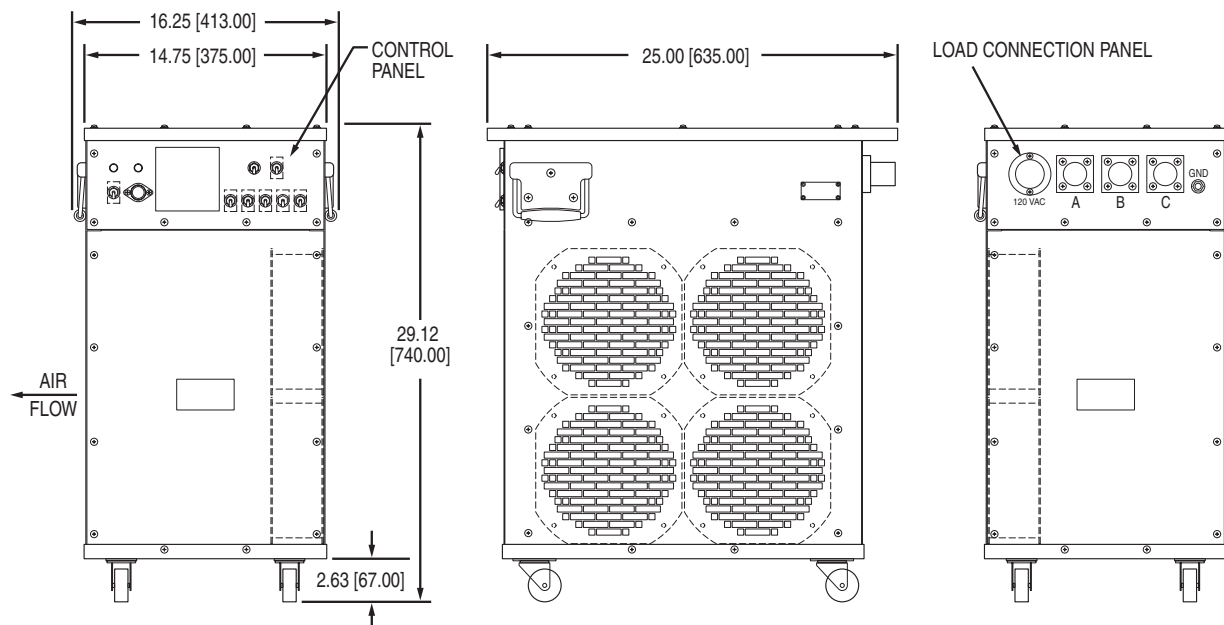
Legendary Avtron quality combined with simple operation and maintenance will provide years of trouble free service.

Avtron's extensive line of Load Bank and Industrial Resistor Products are solid performers used throughout the world.

For total technical support or additional information, please contact Avtron at (216) 573-7600 or LBsales@avtron.com.

Freedom Portable Load Bank (Model LPH-100)

OUTLINE DRAWING:



SPECIFICATIONS:

CONSTRUCTION: A compact aluminized steel enclosure with screened inlet and exhaust openings. Four swivel casters provide mobility. Heavy duty lifting handles are also provided.

CONTROL POWER: The load bank requires control power of 120 VAC, single phase, 60 Hz (line cord provided).

COOLING: The resistive elements are air cooled by four high velocity muffin fans for quiet operation.

CONTROLS: The operator control panel includes a MASTER LOAD ON-OFF switch, load step ON-OFF industrial toggle switches, a BLOWER ON-OFF switch, and a LOAD VOLTAGE selector switch (Dual Voltage model only).

DIGITAL METERING: Avtron Advanced Digital Monitoring System (ADMS™) is provided for display of Volts, Amps, Frequency, and KW. ADMS™ also includes Communicator EXT™ Data Logging Software.

SAFETY CIRCUITS: The Freedom Load Bank features main line circuit fusing, wrong voltage protection (Dual Voltage model only), and overtemperature protection.

WEIGHT: Approximately 105 lbs. [48 kg]

OPTIONS:

- 20 foot cable set with connectors
- Heavy duty shipping case
- Designs for international 50/60 Hz voltages or custom DC designs are also available. Consult Factory.

FREEDOM LOAD CAPACITY RATINGS:

Total Load KW	Voltage Rating	Load Step Resolution in KW
100/93.75	480/240 VAC, 3 phase, 60 Hz	5, 10, 10, 25, 50/ 3.75, 7.5, 7.5, 25, 50
100	208 VAC, 3 phase, 60 Hz	5, 10, 10, 25, 50
50.5	208 VAC, 3 phase, 4 wire, 60 Hz	0.5, 1, 2, 2, 5, 5, 10, 25

ADMS™ is a trademark of Avtron LoadBank, Inc. Communicator EXT™ is a trademark of Electro Industries/GaugeTech. All dimensions are in inches [millimeters]. Specifications subject to change without notice.



Quality System Certified to ISO 9001

6255 Halle Drive • Cleveland, Ohio, U.S.A. 44125-4615 • 216.573.7600 • FAX 216.573.5953
www.avtronloadbank.com • LBsales@avtron.com

Bulletin 428 • Rev. F