



SMV / SMIV

SERIES

Solid State Amplifiers

500-1000 MHz

Prime Power:

100/115/220/230 or 240VAC $\pm 10\%$ 50/60 Hz, single phase
 115/208 or 200/220/230/240VAC $\pm 10\%$ 50/60 Hz,
 three phase Wye, Delta and/or 400 Hz power is available

Mechanical

Dimensions: See chart below
 Weight: See chart below
 Cooling: Internal forced air

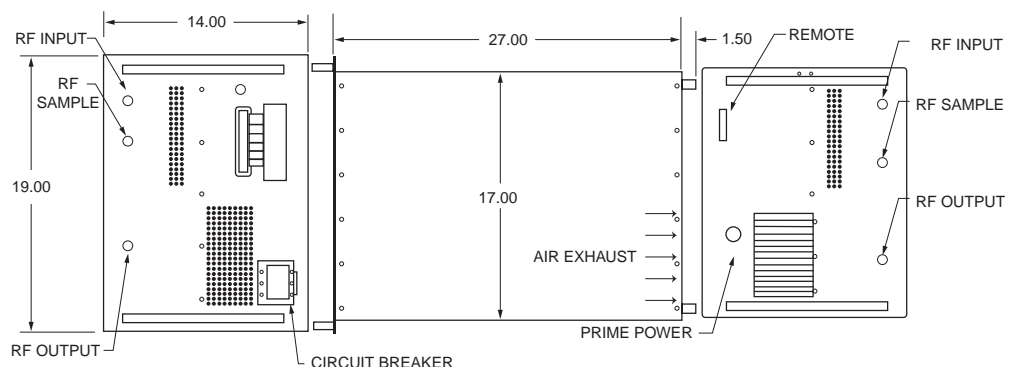
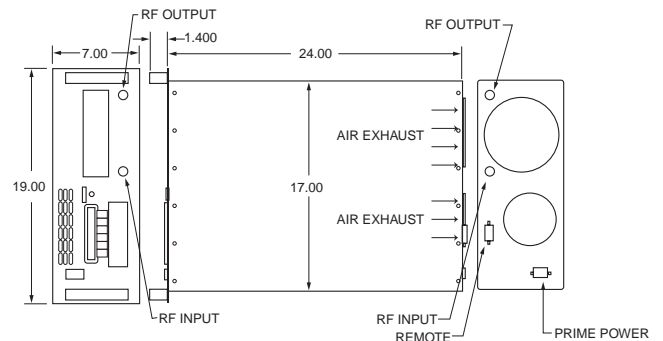
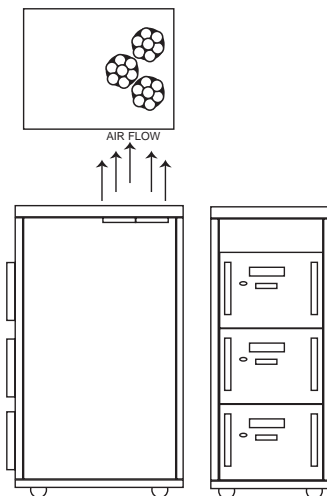
Remote Operation

GPIB, RS232, optional RS422, RS485 or TTL Remote Control

Outline Drawing:

Specifications subject to change without notice

Type	Height	Width	Depth	Weight
(Rack Mount) A	7"	19"	24"	75 lbs.
(Rack Mount) B	14"	19"	27"	125 lbs.
(Cabinet) C	72"	22"	30"	700 lbs.
(Cabinet) D	80"	22"	30"	800 lbs.



To view typical performance data go to www.ifi.com/typdata.htm



INSTRUMENTS FOR INDUSTRY INC.

903 South Second Street, Ronkonkoma, NY 11779
 Tel: 631-467-8400 • Fax: 631-467-8558 • E mail: sales@ifi.com