



# SMV / SMIV

## SERIES

### Solid State Amplifiers

500-1000 MHz

#### Prime Power:

100/115/220/230 or 240VAC  $\pm 10\%$  50/60 Hz, single phase  
 115/208 or 200/220/230/240VAC  $\pm 10\%$  50/60 Hz,  
 three phase Wye, Delta and/or 400 Hz power is available

#### Mechanical

Dimensions: See chart below  
 Weight: See chart below  
 Cooling: Internal forced air

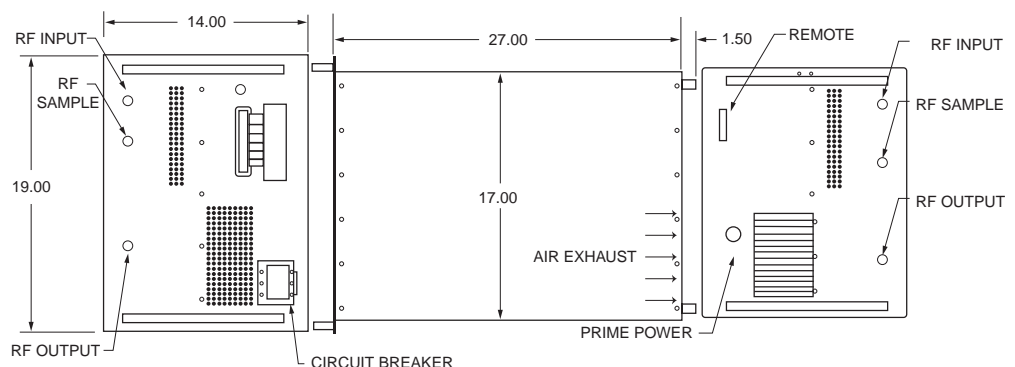
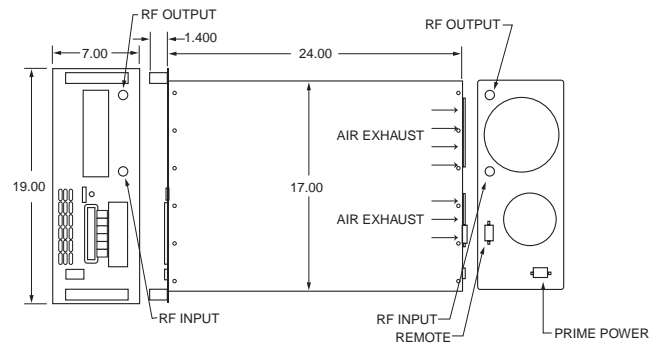
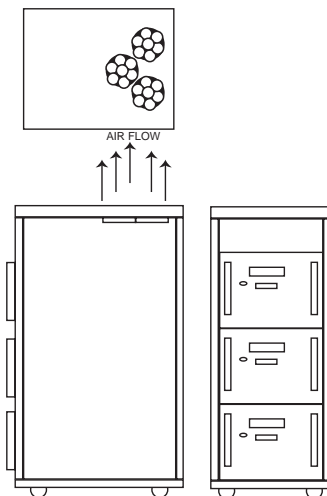
#### Remote Operation

GPIB, RS232, optional RS422, RS485 or TTL Remote Control

#### Outline Drawing:

Specifications subject to change without notice

Type	Height	Width	Depth	Weight
(Rack Mount) A	7"	19"	24"	75 lbs.
(Rack Mount) B	14"	19"	27"	125 lbs.
(Cabinet) C	72"	22"	30"	700 lbs.
(Cabinet) D	80"	22"	30"	800 lbs.



To view typical performance data go to [www.ifi.com/typdata.htm](http://www.ifi.com/typdata.htm)



#### INSTRUMENTS FOR INDUSTRY INC.

903 South Second Street, Ronkonkoma, NY 11779  
 Tel: 631-467-8400 • Fax: 631-467-8558 • E mail: [sales@ifi.com](mailto:sales@ifi.com)