

Attenuators Fixed

Adapters **Attenuators** Couplers DC Blocks Detectors Isolators & Circulators Phase Shifters Power Dividers and Hybrids Terminations (50 Ohm Loads) Waveguide

Type N (M/F) DC to 4-5 GHz, 20 Watt - 50 Watt



Features

- Designed to Meet Environmental Requirements of MIL-A-3933

Models

- 766-3, 766-6, 766-10, 766-20, 766-30, 765-3, 765-6, 765-10, 765-20

Model	766-3	766-6	766-10	766-20	766-30
Low Frequency (GHz)	DC	DC	DC	DC	DC
High Frequency (GHz)	4.0	4.0	4.0	4.0	4.0
Attenuation dB (Nominal)	3	6	10	20	30
Attenuation dB (Deviation DC-3)	+/-0.25	+/-0.25	+/-0.25	+/-0.25	+/-0.75
Attenuation dB (Deviation 3-5)	N/A	N/A	N/A	N/A	N/A
Attenuation dB (Deviation 3-4)	+/-0.50	+/-0.50	+/-0.50	+/-0.50	+/-0.75
Power Input (Max Avg.) in W	20	20	20	20	20
Power Input (Max Peak) in kW	1	1	1	1	1
VSWR (max) DC-1 GHz	1.10	1.10	1.10	1.10	1.10
VSWR (max) 1-4 GHz	1.15	1.15	1.15	1.15	1.35
VSWR (max) 3-5 GHz	N/A	N/A	N/A	N/A	N/A
Maximum Weight (gr)	159	159	159	159	159
Maximum Weight (oz)	5.6	5.6	5.6	5.6	5.6
Special Notes:	A , B	A , B	A , B	A , B	A , B

Special Notes:

A: Power ratings for horizontal operation at +25°C derate linearly to 5 watts at +125°C

B: Temperature Coefficient: 0.0006 dB/dB/°C; Power Coefficient: 0.0005 dB/dB/watt.

Attenuators Fixed

Adapters **Attenuators** Couplers DC Blocks Detectors Isolators & Circulators Phase Shifters Power Dividers and Hybrids Terminations (50 Ohm Loads) Waveguide

Type N (M/F) DC to 4-5 GHz, 20 Watt - 50 Watt

Model	765-3	765-6	765-10	765-20
Low Frequency (GHz)	DC	DC	DC	DC
High Frequency (GHz)	5.0	5.0	5.0	5.0
Attenuation dB (Nominal)	3	6	10	20
Attenuation dB (Deviation DC-3)	+/- 0.30	+/- 0.30	+/-0.30	+/- 0.30
Attenuation dB (Deviation 3-5)	+/-0.50	+/-0.50	N/A	N/A
Attenuation dB (Deviation 3-4)	N/A	N/A	N/A	N/A
Power Input (Max Avg.) in W	50	50	50	50
Power Input (Max Peak) in kW	2	2	2	2
VSWR (max) DC-1 GHz	N/A	N/A	N/A	N/A
VSWR (max) 1-4 GHz	N/A	N/A	N/A	N/A
VSWR (max) 3-5 GHz	1.30	1.30	N/A	N/A
Maximum Weight (gr)	440	440	440	440
Maximum Weight (oz)	15.5	15.5	15.5	15.5
Special Notes:	A	A	B	B

Special Notes:

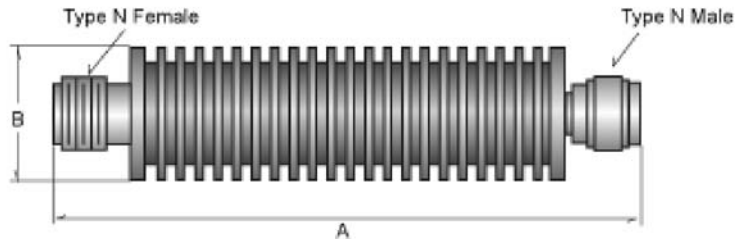
A: Power ratings for horizontal operation at +25°C derate linearly to 5 watts at +125°C

B: Temperature Coefficient: 0.0006 dB/dB/°C; Power Coefficient: 0.0005 dB/dB/watt.

Attenuators Fixed

Adapters **Attenuators** Couplers DC Blocks Detectors Isolators & Circulators Phase Shifters Power Dividers and Hybrids Terminations (50 Ohm Loads) Waveguide

Type N (M/F) DC to 4-5 GHz, 20 Watt - 50 Watt



Outline Drawings For Models : 766-3, 766-6, 766-10, 766-20, 766-30, 765-3, 765-6, 765-10, 765-20

Units	A	B
766-3 , 766-20, 766-30		
in.	3.07	1.52
mm	77.98	38.61
766-6 , 766-10		
in.	3.07	1.52
mm	76.2	38.61
765-3 , 765-6, 765-10, 765-20		
in.	6.99	1.64
mm	177.55	41.66

Notes:

Unless otherwise specified dimensions are max. and for reference only. Contact the factory for detailed specifications and outline drawing.

Attenuators Fixed

Adapters **Attenuators** Couplers DC Blocks Detectors Isolators & Circulators Phase Shifters Power Dividers and Hybrids Terminations (50 Ohm Loads) Waveguide

Type N (M/F) DC to 11 GHz, 20 Watt - 50 Watt



Features

- Designed to Meet Environmental Requirements of MIL-A-3933

Models

- 768-3, 768-6, 768-10, 768-20, 768-30

Model	768-3	768-6	768-10	768-20	768-30
Low Frequency (GHz)	DC	DC	DC	DC	DC
High Frequency (GHz)	11.0	11.0	11.0	11.0	11.0
Attenuation dB (Nominal)	3	6	10	20	30
Attenuation dB (Deviation DC-3)	+/-0.25	+/-0.25	+/-0.25	+/-0.25	+/-0.25
Attenuation dB (Deviation 3-6)	+/-0.50	+/-0.50	+/-0.50	+/-0.50	+/-0.50
Attenuation dB (Deviation 6-11)	+/-0.75	+/-0.75	+/-0.75	+/-0.75	+/-0.75
Power Input (Max Avg.) in W	20	20	20	20	20
Power Input (Max Peak) in kW	1	1	1	1	1
VSWR (max) DC-1 GHz	1.10	1.10	1.10	1.10	1.10
VSWR (max) 1-4 GHz	1.15	1.15	1.15	1.15	1.15
VSWR (max) 4-6 GHz	1.20	1.20	1.20	1.20	1.20
VSWR (max) 6-11 GHz	1.30	1.30	1.30	1.30	1.35
Maximum Weight (gr)	159	159	159	159	159
Maximum Weight (oz)	5.6	5.6	5.6	5.6	5.6
Special Notes:	A, B, C	A, B, C	A, B, C	A, B, C	A, B, C

Special Notes:

A: Power ratings for horizontal operation at + 25°C derate linearly to 5 watts at + 125°C

B: Temperature Coefficient: 0.0006 dB/dB/°C; Power Coefficient: 0.0005 dB/dB/watt.

C: Ordering information: Specify model number and add dash number suffix for attenuation in dB. For example: 776C-10.

Attenuators Fixed

Adapters **Attenuators** Couplers

DC
Blocks

Detectors

Isolators &
Circulators

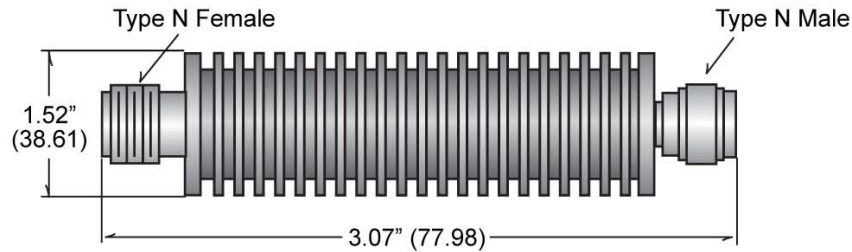
Phase
Shifters

Power Dividers and
Hybrids

Terminations (50 Ohm
Loads)

Waveguide

Type N (M/F) DC to 11 GHz, 20 Watt - 50 Watt



Outline Drawings For Models: 768-3, 768-6, 768-10, 768-20, 768-30

Notes:

Unless otherwise specified dimensions are max. and for reference only. Contact the factory for detailed specifications and outline drawing.

Attenuators Fixed

Adapters **Attenuators** Couplers DC Blocks Detectors Isolators & Circulators Phase Shifters Power Dividers and Hybrids Terminations (50 Ohm Loads) Waveguide

Type N (M/F) DC to 6 GHz, 150 Watt



Features

- High Power (150 watts average)
- 3, 6, 10, 20, and 30 dB Versions
- Designed to Meet Environmental Requirements of MIL-A-3933

Models

- 769-3, 769-6, 769-10, 769-20, 769-30

Model	769-3	769-6	769-10	769-20	769-30
Low Frequency (GHz)	DC	DC	DC	DC	DC
High Frequency (GHz)	6.0	6.0	6.0	6.0	6.0
Attenuation dB (Nominal)	3	6	10	20	30
Attenuation dB (Deviation DC-2)	+/-0.4	+/-0.4	+/-0.4	+/-0.5	+/-0.5
Attenuation dB (Deviation 2-6)	+/-0.75	+/-0.75	+/-0.75	+/-1.0	+/-1.0
Power Input (Max Avg.) in W	150	150	150	150	150
Power Input (Max Peak) in kW	3	3	3	3	3
VSWR (max) DC-6 GHz	1.35	1.35	1.35	1.35	1.35
Weight (max) in kg	1.5	1.5	1.5	1.5	1.5
Weight (max) in lbs	3.3	3.3	3.3	3.3	3.3
Special Notes:	A, B	A, B	A, B	A, B	A, B

Special Notes:

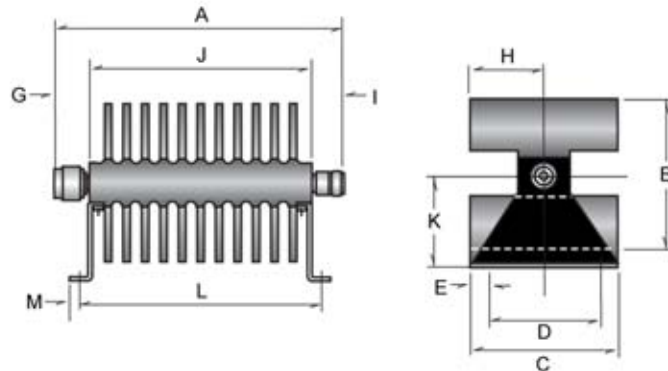
A: Temperature Coefficient 0.0006 dB/dB/°C; Power Coefficient: 0.0005 dB/dB/watt

B: Specify model number and add dash number suffix for attenuation in dB. For example: 769-3

Attenuators Fixed

Adapters **Attenuators** Couplers DC Blocks Detectors Isolators & Circulators Phase Shifters Power Dividers and Hybrids Terminations (50 Ohm Loads) Waveguide

Type N (M/F) DC to 6 GHz, 150 Watt



Outline Drawings For Models : 769-3, 769-6, 769-10, 769-20, 769-30

Units	A	B	C	D	E	G	H	I	J	K	L	M
769-3, 769-6, 769-10, 769-20, 769-30												
in.	7.31	4.20	4.20	3.00	0.60	0.88	2.10	0.75	5.68	2.50	6.16	0.28
mm	185.67	106.68	106.68	76.20	15.24	22.35	53.34	19.05	144.27	63.50	156.46	7.11

Notes:

Unless otherwise specified dimensions are max. and for reference only. Contact the factory for detailed specifications and outline drawing.

