

LIGHTNING SURGE SIMULATOR

MODEL LSS-712B/720B/720C/730K

Voltage surge test (1.2/50 μ s) and current surge test (8/20 μ s) specified under JEC-210 & 212 standard. (JEC: Japanese Electrotechnical Committee)

Features

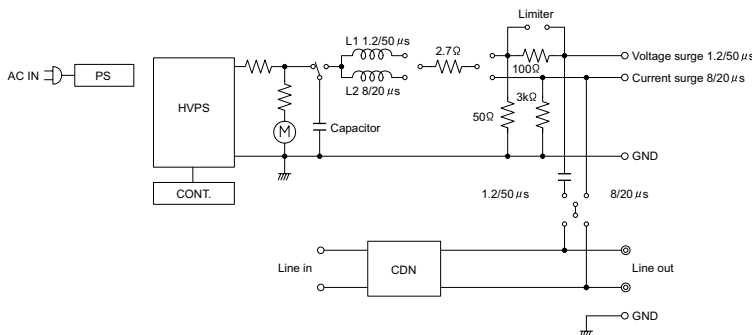
- ▶ High voltage and current surge test up to 12kV/2400A, 20kV/4000A or 30kV/6000A
- ▶ Built-in 2-stage isolation transformers



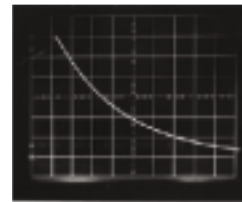
LSS-712B

LSS-720B

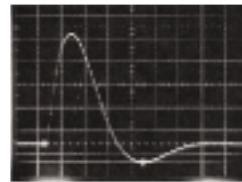
Electrical schematic



Typical waveform



Voltage surge: 1.2/50 μ s
Voltage: 3kV
V: 500V/Div
H: 20 μ s/Div



Current surge: 8/20 μ s
Current: 2400A
V: 500V/Div
H: 10 μ s/Div

Specifications

Model		LSS-712B	LSS-720B	LSS-720C	LSS-730K
Voltage surge	Surge waveform	1.2/50 μ s		1.2/50 μ s, 10/200 μ s	1.2/50 μ s
	Output voltage	20kV max.			30kV max.
	Polarity	Positive or Negative			
	Output impedance	6 Ω \pm 10%		6 Ω \pm 10% (1.2/50 μ s) 10 Ω \pm 10% (10/200 μ s)	6 Ω \pm 10%
	Built-in load resistor	50 Ω \pm 10%			
	Short circuit current	2000A max.	3300A max.	3300A max.(1.2/50 μ s) 2000A max.(10/200 μ s)	5000A max.
Current surge	Surge waveform	8/20 μ s			
	Polarity	Positive or Negative			
	Output impedance	5 Ω \pm 10%			
	Built-in load resistor	3k Ω \pm 10%			
	Output current	2400A max.	4000A max.		6000A max.
Surge repetition cycle		Single shot			
EUT power capacity		AC240V/20A max.			
Power consumption	Nominal value	150VA	300VA		
	Peak value when charging	3kVA	1.1kVA		1.6VA
	Mesial attenuation time	0.5 second			
Power supply		Adjustable to local supply voltage required			
Dimensions (W) x (H) x (D) mm		555 x 1500 x 790	555 x 1660 x 840	1034 x 1610 x 918	1034 x 1630 x 918
Weight		Approx. 290kg	Approx. 450kg	Approx. 575kg	Approx. 500kg