



Advanced Test Equipment Rentals
www.atecorp.com 800-404-ATEC (2832)



ASM 310

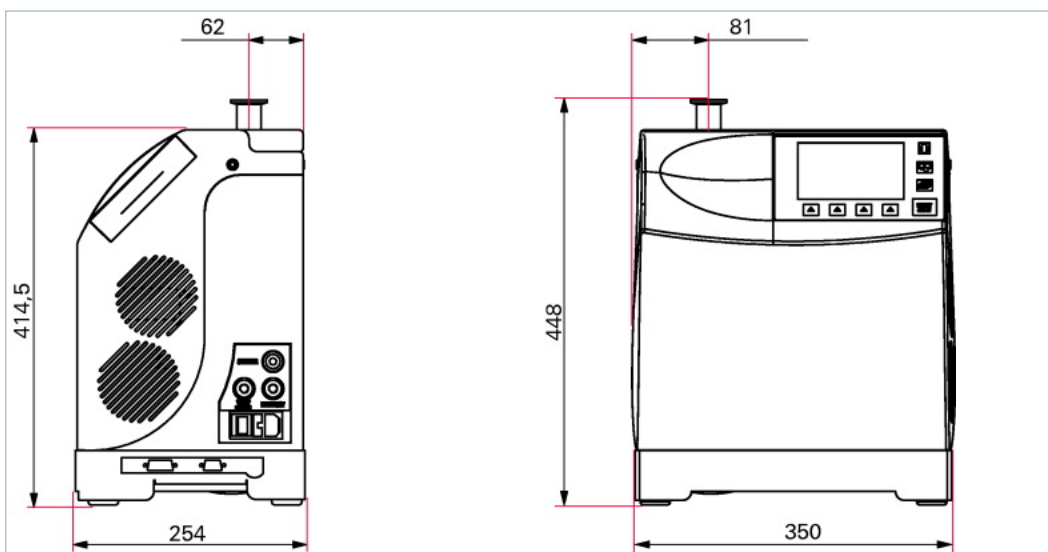
Superior performance, light weight and universal voltage enables the ASM 310 to be easily operated at any location.



ASM 310, universal voltage

- Oil free pumping system, roughing capacity 1.7 m³/h
- Ultralight, only 21 kg (46 lbs) and easy to move
- Large bright color touchscreen with graphics functionality
- Intuitive and customizable menu
- Integrated SD memory card for recording and downloading capacities

Dimensions



Technical Data	ASM 310, universal voltage
Backing pump	with oil free backing pump
Backing pump capacity	1.7 m ³ /h
Detectable gases	⁴ He, ³ He, H ₂
Dimensions (L x W x H)	350 mm 13.78 inch
Flange (in)	DN 25 ISO-KF
I/O interface	Digital, Analog (mantissa, exponent)
Interface	RS-232
Maximum inlet test pressure	15 hPa 11.25 Torr 15 mbar
Minimum detectable leak rate for helium (sniffing leak detection)	1 · 10 ⁻⁸ Pa m ³ /s 7.5 · 10 ⁻⁸ Torr l/s 1 · 10 ⁻⁷ mbar l/s
Minimum detectable leak rate for helium (vacuum leak detection)	5 · 10 ⁻¹³ Pa m ³ /s 3.75 · 10 ⁻¹² Torr l/s 5 · 10 ⁻¹² mbar l/s
Noise level	< 45 dB (A)
Operating temperature	10-40 °C 50-104 °F 283.15-313.15 °K
Pumping speed for He	1.1 l/s
Response time (Sniffing leak detection)	< 1 s
Start-up time (20°C) with calibration	<3.5 min
Start-up time (20°C) without calibration	< 2 min
Supply	100-240 V, 50/60 Hz
Test method	Vacuum and sniffing leak detection
Type	Mobile
User interface	Graphic color touch screen (detachable)
Weight	21 kg 46.3 lb

Order number	ASM 310
	BSAA0000MM9A

Accessories	
Connection cable for remote control	
Connection cable for remote control, 10 meters	110881
Connection cable for remote control, 15 meters	110882
Country-specific power cables	
Power cable, 2.5 m, Switzerland	103718
Power cable, 2.5 m, UK	104411
Power cable, 2 m, Italy	104758
Standard remote control	
Remote control, leak rate in mbar l/s, legend in English	106688
Remote control, leak rate in Pa m ³ /s, legend in English	108880
Remote control, leak rate in Pa m ³ /s, legend in Japanese	106690
Remote control, leak rate in Torr l/s, legend in English	108881
Transportation accessories	
Transportation case to safeguard the ASM 310 against shipping damage	119594
Trolley for ASM 310 with two wheels	114820

**Vacuum solutions
from a single source**

Pfeiffer Vacuum stands for innovative and custom vacuum solutions worldwide, technological perfection, competent advice and reliable service.

**Complete range
of products**

From a single component to complex systems:
We are the only supplier of vacuum technology
that provides a complete product portfolio.

**Competence in
theory and practice**

Benefit from our know-how and our portfolio of training
opportunities! We support you with your plant layout
and provide first-class on-site service worldwide.

**Are you looking for a
perfect vacuum solution?
Please contact us:**

Pfeiffer Vacuum GmbH
Headquarters · Germany
T +49 6441 802-0
info@pfeiffer-vacuum.de
www.pfeiffer-vacuum.com