



**Model 7399-3 Spike Generator 2500 V  
for conducted transient susceptibility testing**



**DESCRIPTION**



**Effective March 2, 2017**

Paragraph 5.3.3.1 Apparatus paragraph c of MIL-STD-1399-300B refers to Solar Spike Generators Models 7399-1 and 7399-2 needing modifications in order to accept an independent 60 Hz sync input.

In response to the changes in MIL-STD-1399-300B, we have incorporated an independent 60 Hz sync input function. This is accomplished through the addition of a selector switch position and associated internal wiring. The discharge switch has also been updated to a solid-state type switch. Due to these changes, we have rolled the part number of the generator from 7399-2 to 7399-3.

**APPLICATION**

The **Solar Model 7399-3 Spike Generator** is capable of providing high energy spikes with amplitudes adjustable up to 2500 V peak into low impedance loads, as required in MIL-STD-1399, Section 300B. The shape of the spike approximates Figure 6 of MIL-STD-1399-300B. (**Solar Model 7399-3** is specified in MIL-STD-1399-300B.)

**Modes of operation:**

- Repetitive spikes up to 2500 V peak at two pulse per minute
- Single non-synchronous spike actuated by a pushbutton on the panel
- Sync functions provide for placing the spike on the power frequency waveform of 50, 60 or 400 Hz power lines. The spike can be moved to any point on the sine wave from 0 to 360°.

A SYNC TEST function is provided for adjusting the trigger circuit of the associated oscilloscope for response to a single pulse. After this adjustment of the scope, it is ready for viewing the spike. When the READY lamp indicates the storage circuit has been charged to the selected peak voltage, the pushbutton is depressed which triggers the sync circuit of the oscilloscope.

All connections to the **Solar Model 7399-3** are isolated from the chassis. The chassis is grounded through the third wire in the power cord in accordance with safety regulations.



**SPECIFICATIONS**



- Peak amplitude:** No load 100-2500 V 100-2000 V 0.5  $\Omega$  load  
**Duration:** No load to 50% of peak 0.5  $\Omega$  load  $\approx 50 \mu\text{S} \approx 31 \mu\text{S}$   
**Duration to zero:** No load crossover  $\approx 100 \mu\text{S}$  0.5  $\Omega$  load  $\approx 77 \mu\text{S}$

**Repetition rate:** 2 pulses per minute

**Phase adjustment:** Spike position adjustable from 0 to 360 on 50, 60 or 400 Hz sine wave

**Internal impedance:** Less than 0.1  $\Omega$

**Peak output power:** 8 MW into 0.5  $\Omega$  load

**Power current in series injection mode:** Handles up to 100 A of current at power frequencies

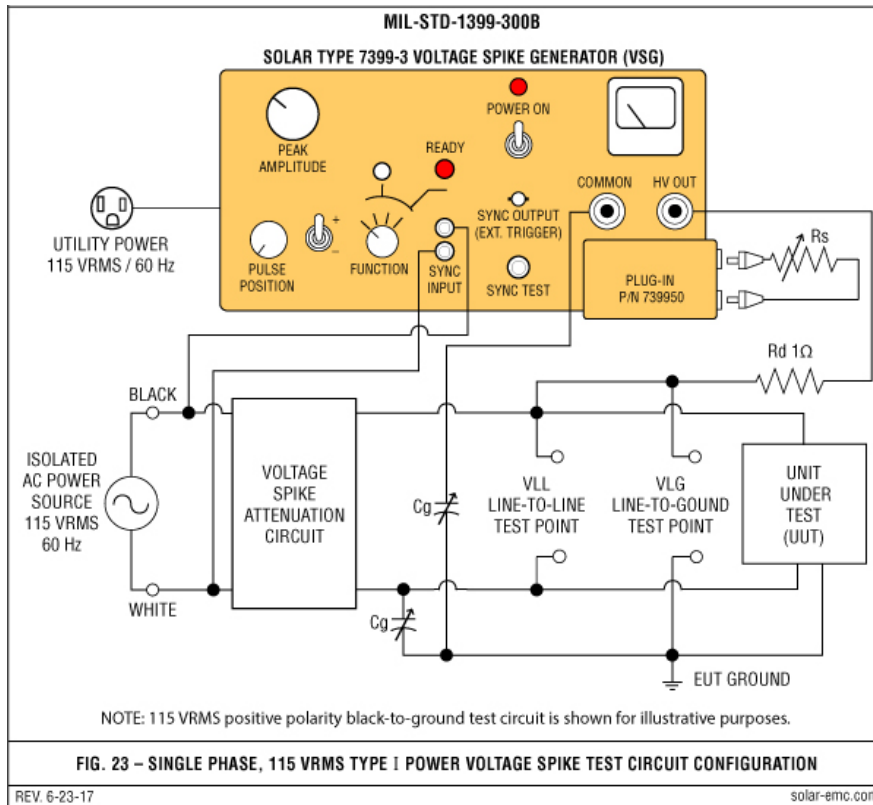
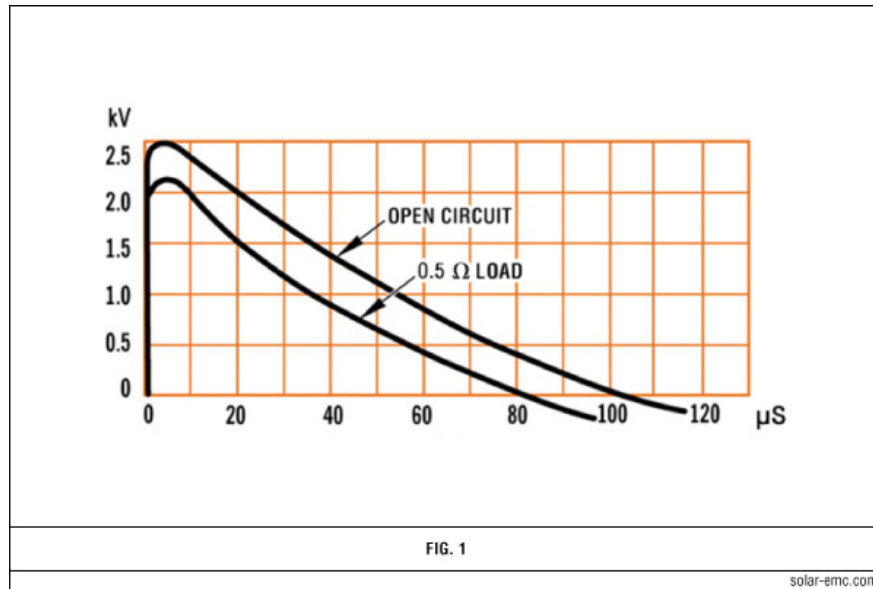
**Power requirements:** 115 V 60 Hz, 2.0 A (230 V 50 Hz, 1.0 A available)

**Dimensions:** 12.56" wide x 21.06" high x 15.50" deep (31.9 cm x 53.5 cm x 39.4 cm)

**Weight:** 90 pounds plus 5 pounds for accessories (43.09 kg)

**Total shipping weight:** 120 pounds (54.4 kg)

## FIGURES



## COMPONENTS (supplied)



### Solar Type 739945 Plug-in Unit

For series injection of spike into power lines

**Solar Type 739950 Plug-in Unit**

For parallel injection (using external components)

**Mating connectors**

Two 100 A styles, for power connections; two 50 A styles, for external resistor

**USEFUL ACCESSORIES (not included)****Type 6220-1B Transformer**

Can be used as a high current series inductor

**Type 7032-1 Isolation Transformer**

For removing power ground from the case of the scope (see Figure 23, MIL-STD-1399-300B)

**Custom Quotes**

To meet the needs of our clients, Solar Electronics Company engineers are in the lab every day. If you don't see a Solar product that suits your application, please send us your specifications so we can provide a solution.

800-952-5302  
or  
online quotes form

Terms

**Orders / Production / SHIP TO**

800-952-5302  
818-755-1700  
fax: 818-755-0078  
sales@solar-emc.com  
10866 Chandler Blvd.  
North Hollywood, CA 91601

Map link

**Service Support**

service@solar-emc.com

Webmaster

**Billing Inquiries / PAYMENTS**

accounting@solar-emc.com  
5238 Laurel Canyon Blvd.  
North Hollywood, CA 91607  
**Do not ship to Laurel Canyon address.**

Specifications subject to change without notice.

**All Solar Electronics products are made in the USA.**

©2018 Solar Electronics Company.  
All rights reserved.