



Advanced Test Equipment Rentals
www.atecorp.com 800-404-ATEC (2832)



Vision
ENGINEERING



Stereo Dynascopic
Microscope without Eyepieces

L Y N X[®]

Stereo Microscope

Lynx Stereo Microscope without eyepieces has multiple accessory options for a wide variety of tasks including:

- Inspection
- Manipulation
- Assembly
- Dissection
- Soldering
- Polishing
- Finishing
- Measurement and recording



Lynx utilises Vision Engineering's patented Dynascope[®] technology. Dynascope technology expands the exit pupil of optical microscope layouts by utilising multi-lens image forming surfaces. The benefits to the operator are:

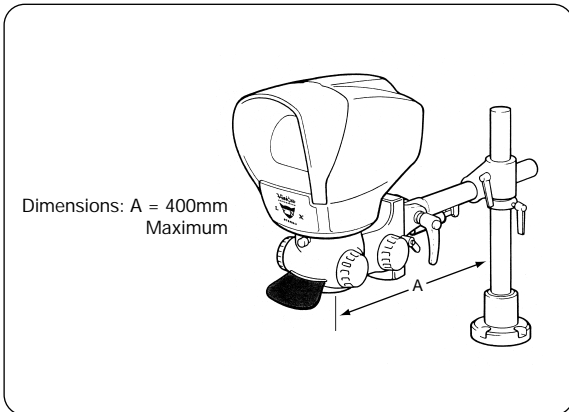
- Superb resolution and contrast
- Increased head and body freedom
- Freedom to wear glasses and contact lenses
- Easy hand to eye co-ordination resulting in greater speed, throughput, accuracy and reduced scrap rates



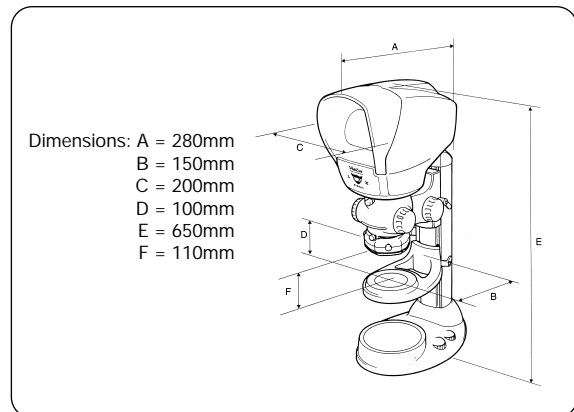
Technical Specification

Stand Options:

Adjustable, swing away, boom mount for mounting directly to user's work surface or with coated platform base



Stable, focusable bench stand with subject holder, substage illumination and floating or measuring stage options



Optical:

- Dynascope afocal stereo zoom eyepieceless microscope providing a 26.4° field angle
- Dynascope patented technology optimises head and body freedom giving:
 - 10mm Radial head freedom
 - 70mm Axial head freedom

Zoom Magnification:

- 7-40X multiplied by combinations of objective lenses and multipliers (Zoom Magnification Maximum 160X)
- Zoom Ratio 5.7:1
- Secondary Multipliers 1.5X, 2.0X
- Reducing objectives to increase working distance and field of view (see table below)
- Magnifying objectives to increase overall magnification.

Electrostatic Discharge Option:

- For sensitive electrostatic applications, Lynx is available with high performance discharging plastic with full grounding, meeting the highest ESD specifications. (please ask for details)

Weight:

- Unpacked Head 3.4kg Stand 5.5kg
- Packed Head 4.7kg Stand 6.5kg

Optical Information:

Objective Lens Part Number	Lens Magnification	Zoom Range	With 1.5X Multipliers	With 2X Multipliers	Working Distance	Field of View at Max Zoom	Field of View at Min Zoom
C-050	X0.3	X2.1 – X12	X3.2 – X18	X4.2 – X24	312mm	12mm	77mm
C-055	X0.5	X3.5 – X20	X5.3 – X30	X7.0 – X40	175mm	7mm	46mm
C-051	X0.7	X4.9 – X28	X7.4 – X42	X9.8 – X56	127mm	5mm	33mm
C-052	X1.0	X7.0 – X40	X10.5 – X60	X14 – X80	85mm	3.5mm	24mm
C-053	X1.5	X10.5 – X60	X15.8 – X90	X21 – X120	45mm	2.5mm	16mm
C-054	X2.0	X14 – X80	X21 – X120	X28 – X160	25mm	1.75mm	12mm

Illumination Options:

- 6 or 10 point ringlight options with 21V/150W Halogen lamp house (200 hours approx. life) or 24V/250W Halogen lamp house (300 hours approx. life)
- Substage illumination (bench stand only) 12V/20W Halogen lamp (2000 hours approx. life)
- Option of tilting substage illuminator to enhance contrast

Accessories:

(see separate Accessories Brochure for more details)

- Magnification Multipliers:
 - 1X – 1.5X
 - 1X – 2X
- Oblique and Direct viewer gives angled view of subject 35° rotating angle from vertical, motorised or manual options
- Tilting, spring mounted head angle adjuster for different height operators
- 25° Fixed Head Angle Adjuster (from horizontal)
- Polarised light substage illuminator
- Floating workstage
- Measuring workstage
- Vertical or crossline measuring reticle
- Camera adaptors for digital cameras, CCTV, 35mm, Polaroid, image analysis or archiving software

We serve industry and laboratories world wide, from major multinational corporations to small privately owned companies.

Each receives the same high standard of pre and post sales service, whether direct from one of Vision's subsidiaries or one of our highly trained and skilled distributors. With our products now represented in over 30 countries, Vision responds to customer demand with speed, efficiency and with innovative solutions.

Distributor



Around the world

Vision Engineering Ltd
(Manufacturing)
Send Road, Send, Woking,
Surrey, GU23 7ER
England
Tel: +44 (0) 1483 223417
Fax: +44 (0) 1483 223297



Vision Engineering Ltd
(Commercial)
Monument House
Monument Way West
Woking, Surrey, GU21 5EN
England
Tel: +44 (0) 1483 248300
Fax: +44 (0) 1483 248317
E-Mail: generalinfo@visioneng.com
Website: www.visioneng.com



Vision Engineering Inc.
(Manufacturing & Commercial)
570 Danbury Road,
New Milford,
CT 06776
USA
Tel: +1 (860) 355 3776
Fax: +1 (860) 355 0712
E-Mail: info@visioneng.com
Website: www.visioneng.com



Vision Engineering Inc.
(Commercial)
745 West Taft Avenue,
Orange,
CA 92865,
USA
Tel: +1 (714) 974 6966
Fax: +1 (714) 974 7266



Vision Engineering Ltd
(Central Europe)
Anton Pendele Strasse 3,
D-82275, Emmering,
Germany
Tel: +49 (0) 8141 40167-0
Fax: +49 (0) 8141 40167-55
E-Mail: info@visioneng.de
Website: www.visioneng.de



Nippon Vision Engineering
No. 6 Shinyokohama Hayama Building
1-28-8 Shinyokohama
Kohoku-ku, Yokohama-shi,
Japan
Tel: +81 (0) 45 472 1004
Fax: +81 (0) 45 472 1177
E-Mail: info@visioneng.jp
Website: www.visioneng.jp



Vision Engineering Ltd
1 Rue de Terre Neuve
ZA Courtaboeuf
91967 Les Ulis Cedex
France
Tel: +33 (0) 164 46 90 82
Fax: +33 (0) 164 46 31 54
E-Mail: info@visioneng.fr
Website: www.visioneng.fr



Vision Engineering Ltd Italia
Via Pelizza da Volpedo 51
20092 Cinisello Balsamo MI
Italy
Tel: +39 02 6129 3518
Fax: +39 02 6129 3526
E-Mail: info@visioneng.it
Website: www.visioneng.it

Visit our Interactive Multilingual Website
www.visioneng.com