



S & SH Series **Standard Temperature and Temperature/Humidity Systems**



S and SH Series Chambers

Standard Temperature and Temperature/Humidity Chambers.

Temperature Range:

S & SH Models:

-30°C (-22°F) to +177°C (+350°F), ± 0.3°C at control sensor

ST & SH-C Models:

-68°C (-90°F) to +177°C (+350°F), ± 0.3°C at control sensor

Humidity Range:

SH & SH-C Models:

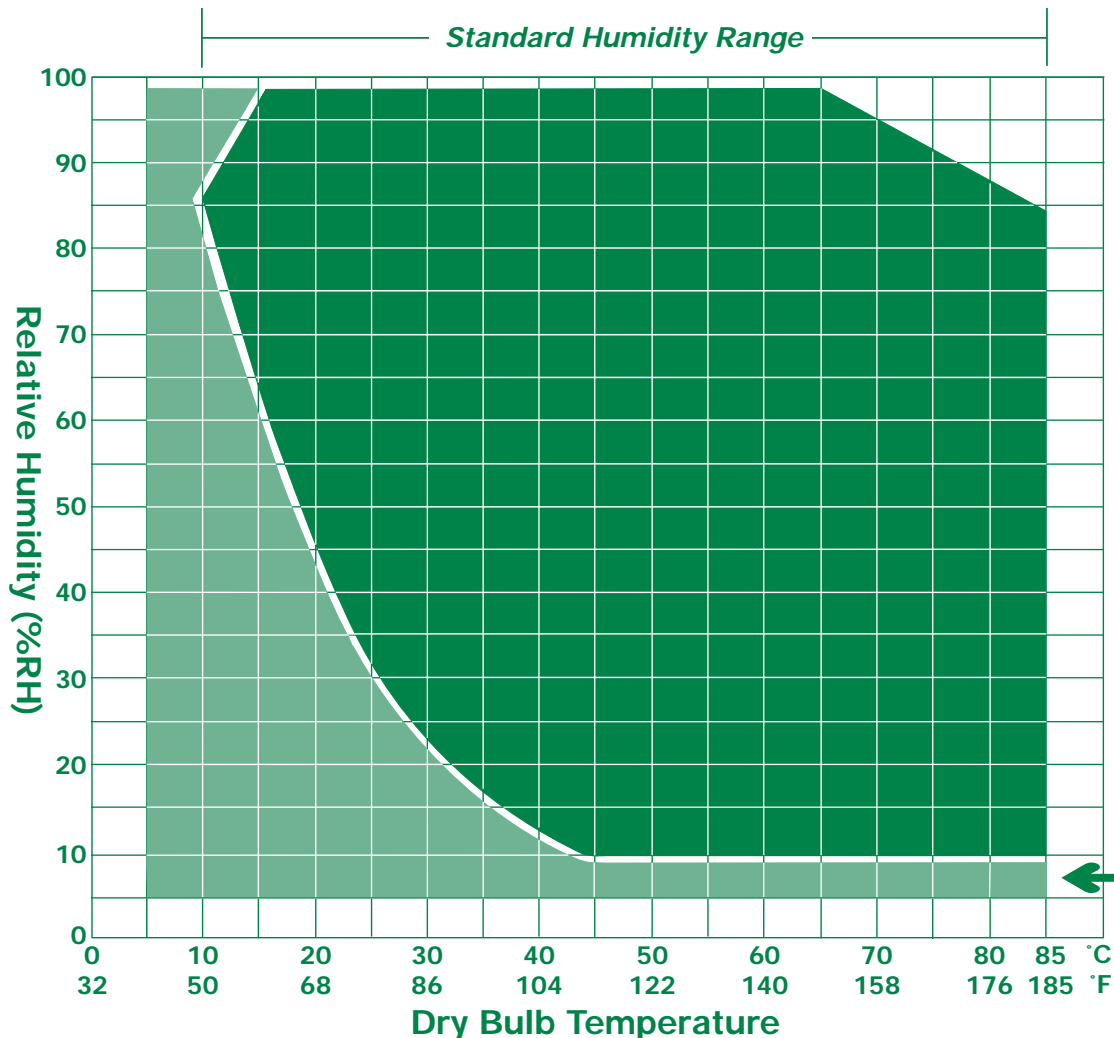
10% to 98% RH, ± 2% as limited by a minimum 7°C dewpoint and a maximum drybulb of +85°C

The S and SH Series chambers provide high quality and reliability at a competitive price. Available in sizes ranging from 8 to 32 cubic feet (0.224 to 0.896 cubic meters), these chambers are constructed with a stainless steel interior and a durable epoxy-based, light grey finish with accenting trim. The silicone inner and outer gaskets ensure minimal heat loss, and as with all Envirotronics chambers, only HFC refrigerants are used.

Standard Features

- Systems Plus™ controller/programmer
- ETL and c-ETL Listed
- Swivel Casters
- Stainless steel access port with plug
- Easily accessible service areas
- Multiple air circulation fans with solid stainless steel shafts, externally mounted motors
- Solid state heat and humidity switching
- Nichrome wire heating elements with fail safe fusible link
- Air-cooled refrigeration*
- Positive door latching system
- Interior Light
- 12" x 12" multipane viewing window
- Window wiper on humidity models
- Series 304 stainless steel interior. All seams continuously heliarc welded
- Stainless steel humidity generator
- Low water level humidity heater protection
- Completely insulated with non-settling fiberglass
- All silicone inner and outer door gaskets to insure minimal heat loss
- Trim-line design
- Solid state humidity sensor on humidity models
- No CFC refrigerants
- * Water-cooled refrigeration on SS models

Relative Humidity vs. Dry Bulb Temperature 10% to 98%



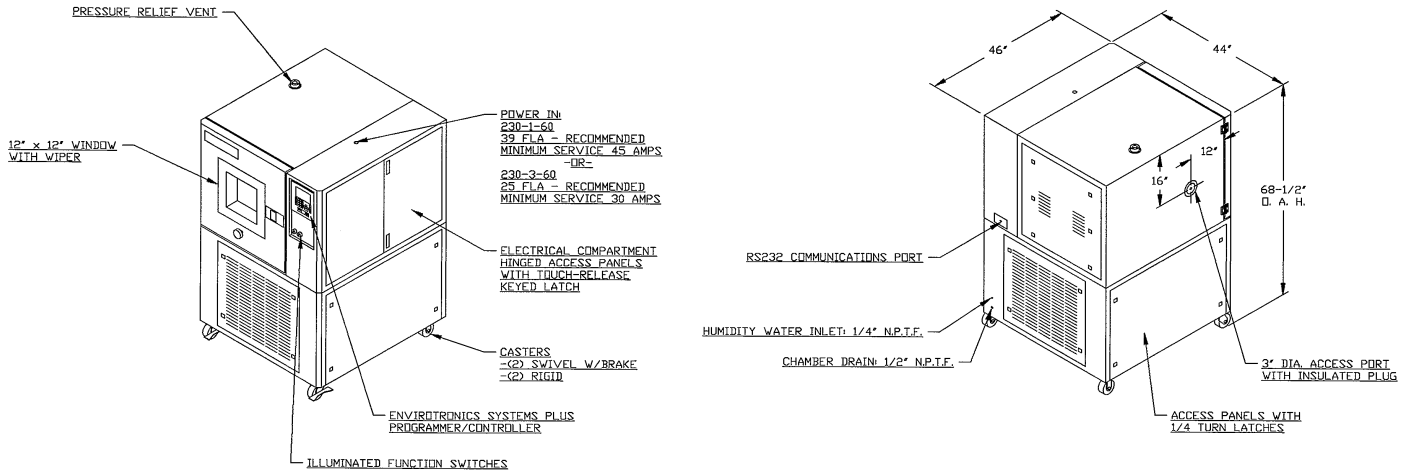
Note: This graph represents standard temperature/humidity conditions which are limited by:
 A) 45°F (7°C) dewpoint
 B) 185°F (85°C) maximum dry bulb temperature

When operating conditions must exceed these limits, you may select optional driers, dry air purges or high temperature/humidity accessories on selected models. (Please consult factory).

Drier or Purge Required



Typical Chamber Dimensions: ST8



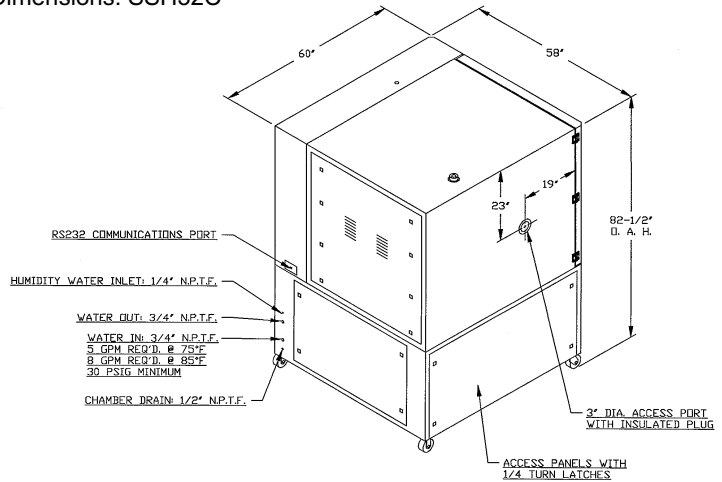
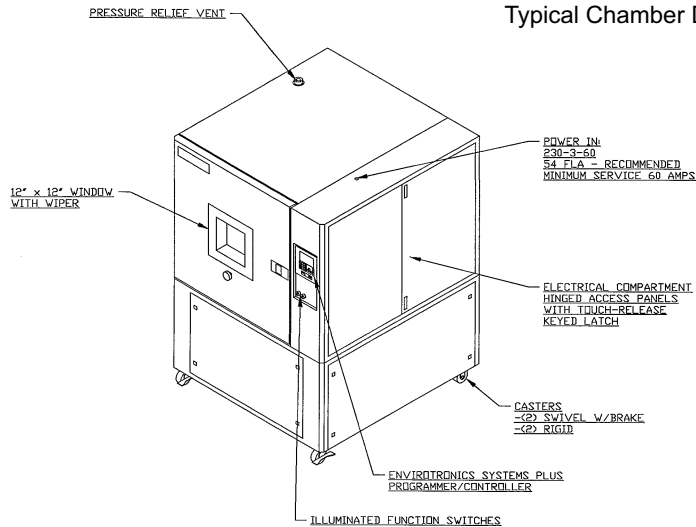
Envirotronics Standard Temperature Chambers

MODEL	S8	ST8	S16	ST16	S27	ST27	SST32
Temperature Range*							
Lo °C	-30°C	-68°C	-30°C	-68°C	-30°C	-68°C	-68°C
Hi °C	+177°C	+177°C	+177°C	+177°C	+177°C	+177°C	+177°C
Lo °F	-22°F	-90°F	-22°F	-90°F	-22°F	-90°F	-90°F
Hi °F	+350°F	+350°F	+350°F	+350°F	+350°F	+350°F	+350°F
Workspace Dimensions:							
Width (inches)	24	24	30	30	36	36	38
Depth	24	24	30	30	36	36	38
Height	24	24	30	30	36	36	38
Width (millimeters)	610	610	762	762	914	914	965
Depth	610	610	762	762	914	914	965
Height	610	610	762	762	914	914	965
Exterior Dimensions:							
Width (inches)	44	44	50	50	56	56	58
Depth	46	46	52	52	58	58	60
Height	67	67	73	73	79	79	81
Width (millimeters)	1118	1118	1270	1270	1422	1422	1473
Depth	1168	1168	1321	1321	1473	1473	1524
Height	1702	1702	1854	1854	2007	2007	2057
Cooling Performance (Minutes):							
+25°C to -30°C	30	12	32	12	35	17	8
+25°C to -40°C	N/A	15	N/A	15	N/A	20	12
+25°C to -54°C	N/A	20	N/A	22	N/A	25	25
+25°C to -65°C	N/A	40	N/A	45	N/A	50	35
Live Load Capacities (Watts):							
-18°C	1500	1500	1500	1500	1400	1400	2500
-48°C	N/A	1000	N/A	1000	N/A	1000	1500
-54°C	N/A	600	N/A	600	N/A	500	1000
Power Requirements/Breaker Sizes:							
Standard Power							
220-230/1/60	28/35	37/45	28/35	37/45	28/35	37/45	N/A
220-230/3/60	22/25	25/30	22/25	25/30	22/25	25/30	41/50
Transformer Installed							
208/1/60	31/40	41/50	31/40	41/50	31/40	41/50	N/A
208/3/60	25/30	28/35	25/30	28/35	25/30	28/35	50/60
220-230/1/50	27/35	37/45	27/35	37/45	27/35	37/45	N/A
220-230/3/50	20/25	30/35	20/25	30/35	20/25	30/35	41/50
380/3/50 5-Wire	12/15	21/25	12/15	21/25	12/15	21/25	N/A
Wired Direct							
460/3/60	15/20	18/25	15/20	18/25	15/20	18/25	25/30
380/3/50 5-Wire	N/A	N/A	N/A	N/A	N/A	N/A	22/30
Transformer Sent with Chamber							
460/3/60	11/15	13/15	11/15	13/15	11/15	13/15	21/25
575-600/3/60	9/15	10/15	9/15	10/15	9/15	10/15	17/20
380/3/50	14/20	18/20	14/20	18/20	14/20	18/20	25/30
Compressors:							
(No.) Horsepower	(1) 1.5 hp	(2) 1.5 hp	(1) 1.5 hp	(2) 1.5 hp	(1) 1.5 hp	(2) 1.5 hp	(2) 3 hp

Notes: * ±0.3°C at Control Sensor. Control tolerances are measured at 75°F and are standard deviations from mean.
 Chamber performance data is based on laboratory conditions at 75°F. Operation at different ambient temperatures may affect performance.
 This data is for comparison only and specifications are subject to change without notice. (The addition of optional accessories may affect performance).
 For extended low temperature low temperature operation, consult factory.



Typical Chamber Dimensions: SSH32C



Envirotronics Standard Temperature/Humidity Chambers

MODEL	SH8	SH8C	SH16	SH16C	SH27	SH27C	SSH32C
Temperature Range:*							
Lo °C	-30°C	-68°C	-30°C	-68°C	-30°C	-68°C	-68°C
Hi °C	+177°C	+177°C	+177°C	+177°C	+177°C	+177°C	+177°C
Lo °F	-22°F	-90°F	-22°F	-90°F	-22°F	-90°F	-90°F
Hi °F	+350°F	+350°F	+350°F	+350°F	+350°F	+350°F	+350°F
Humidity Range:*							
<i>All Models : 10% to 98%, ±2% as limited by a minimum 7°C dewpoint and a maximum drybulb of +85°C</i>							
Workspace Dimensions:							
Width (inches)	24	24	30	30	36	36	38
Depth	24	24	30	30	36	36	38
Height	24	24	30	30	36	36	38
Width (millimeters)	610	610	762	762	914	914	965
Depth	610	610	762	762	914	914	965
Height	610	610	762	762	914	914	965
Exterior Dimensions:							
Width (inches)	44	44	50	50	56	56	58
Depth	46	46	52	52	58	58	60
Height	69	69	75	75	81	81	83
Width (millimeters)	1118	1118	1270	1270	1422	1422	1473
Depth	1168	1168	1321	1321	1473	1473	1524
Height	1753	1753	1905	1905	2057	2057	2108
Cooling Performance (Minutes):							
+25°C to -30°C	30	12	32	12	35	17	8
+25°C to -40°C	N/A	15	N/A	15	N/A	20	12
+25°C to -54°C	N/A	20	N/A	22	N/A	25	25
+25°C to -65°C	N/A	40	N/A	45	N/A	50	35
Live Load Capacities (Watts):							
-18°C	1500	1500	1500	1400	1400	1400	2500
-48°C	N/A	1000	N/A	1000	N/A	1000	1500
-54°C	N/A	600	N/A	500	N/A	500	1000
Power Requirements/Breaker Sizes:							
Standard Power							
220-230/1/60	39/45	47/60	39/45	47/60	39/45	47/60	N/A
220-230/3/60	25/30	34/40	25/30	34/40	25/30	34/40	54/60
Transformer Installed							
208/1/60	43/50	52/60	43/50	52/60	43/50	52/60	N/A
208/3/60	28/35	38/45	28/35	38/45	28/35	38/45	58/70
220-230/1/50	40/45	50/60	40/45	50/60	40/45	50/60	N/A
220-230/3/50	27/35	35/40	27/35	35/40	27/35	35/40	54/60
380/3/50 5-Wire	17/20	21/25	17/20	21/25	17/20	21/25	N/A
Wired Direct							
460/3/60	17/20	21/25	17/20	21/25	17/20	21/25	32/40
380/3/50 5-Wire	N/A	N/A	N/A	N/A	N/A	N/A	32/40
Transformer Sent with Chamber							
460/3/60	13/15	17/20	13/15	17/20	13/15	17/20	27/35
575-600/3/60	10/15	14/20	10/15	14/20	10/15	14/20	22/25
380/3/50	16/20	20/25	16/20	20/25	16/20	20/25	33/40
Compressors:							
(No.) Horsepower	(1) 1.5 hp	(2) 1.5 hp	(1) 1.5 hp	(2) 1.5 hp	(1) 1.5 hp	(2) 1.5 hp	(2) 3 hp

Systems Plus™ Programmer / Controller

Standard in all Envirotronics standard and custom chambers, the Systems Plus™ Programmer/Controller incorporates numerous timesaving features without sacrificing ease-of-use and precise control.

Fuzzy Logic

Fuzzy logic control eliminates costly and time-consuming operator set up of traditional PID control parameters.

User-Friendly Programming Sequence

Our user-friendly programming sequence requires minimal time for actual system programming. The built-in floppy disk drive allows you to save program information and data for quick retrieval.

On-Board Diagnostics and Maintenance Logs

The on-board diagnostics features can save costly troubleshooting time. Our alarm screen pinpoints a tripped safety switch. Additionally, you can keep track of actual run times on active components by utilizing the on-board maintenance logs. This allows you to structure a maintenance program based on past history and may help to reduce or eliminate unforeseen repairs.

Simplified Procedures

We have incorporated simplified calibration and upgrading features into the Systems Plus™. These reduce the amount of time you need to spend calibrating your equipment or upgrading the system.

Data Logging

The data logging feature can eliminate the need for a circular chart recorder, reducing initial expenditures while providing more accurate test documentation.



Built-in User Manual

Two integral timesharing features of Systems Plus™ are the built-in user manual and the "help" screen. These components reduce training time and provide user assistance at every step within programming, calibration, and setup modes.

Security

Password protection is provided to prevent unauthorized entry. This eliminates costly program reentry due to accidental erasure or tampering.

Remote Program Editor

The Remote Program Editor software allows you the freedom to write and edit profiles at the comfort of your PC workstation. The point-and-click, Microsoft Windows-based software is easy to use and eliminates the need to stand at the controller while

editing programs. Envirotronics' Remote Program Editor Software is available for download, free of charge, from our website, www.envirotronics.com/sysplus.html

Optional Features

Optional Features For All Models

- Additional Ports
- LN2 Boost
- Quiet Package
- Interior Shelves
- Temp Sentry
- Water Cooled Option
- DR450T Single Channel Honeywell Chart Recorder

Optional Features For Humidity Models

- DR450T Dual Channel Honeywell Chart Recorder
- Water Demineralizer w/light
- Replacement Cartridge for Demineralizer
- 5 Gallon Reservoir
- 5 CFM Dry Air Purge
- Water Recirculation System



People don't form relationships with equipment - they form relationships with people. When you purchase a system from Envirotronics, you purchase much more than an excellent piece of equipment; you purchase the combined expertise, commitment to excellence, and dedication to quality customer service of the people of Envirotronics. We are there for you when you need us with parts, preventive maintenance, calibrations, emergency service, equipment relocation, equipment modification, new equipment, and more.

Remember, "If it is important to you , we will find you a solution." We are committed to your success.

Whether your relationship with us is through our home office, or through one of our many sales and service locations worldwide, the people of Envirotronics will strive to help you succeed. It is the strength of our commitment to your success that will take us out of the realm of being your single source supplier to becoming your single source partner.

Welcome to the partnership!

-Your Envirotronics Team

Become a
VALUEPLUS
Customer
Call Today

Envirotronics®



3881 N. Greenbrooke S.E.
Grand Rapids, MI 49512
Tel (800) 368-4768 • (616) 554-5020
Fax (800) 791-7237 • (616) 554-5021
Email sales@envirotronics.com
service@envirotronics.com
Web www.envirotronics.com

