

## Agilent K281C Coaxial Waveguide Adapter

18 to 26.5 GHz

### Technical Overview

#### Specifications:

Specifications describe the product's warranted performance. Supplemental and typical characteristics are intended to provide typical but non-warranted performance parameters. These are denoted as "typical", "nominal" or "approximate".

Model number	K281C
Frequency range	18 to 26.5 GHz
Maximum SWR	1.07
Coaxial connector	3.5 mm (f) Option 012: 3.5 mm (m)

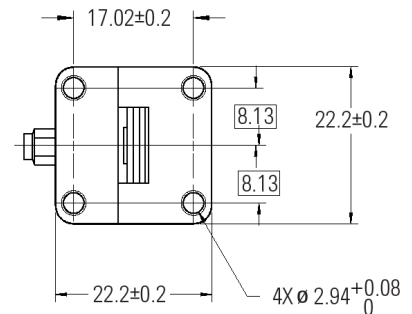
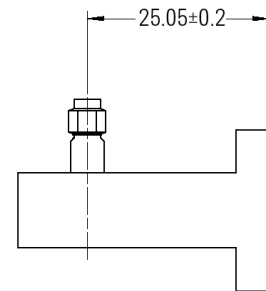
#### Supplemental Characteristics:

Waveguide <sup>1</sup> designator	EIA: WR-42 MIL-W-85/: 1-103
Flange <sup>1</sup> designator	UG-: 597/U MIL-F-3922/:54C-002

<sup>1</sup> The Waveguide/Flange Designator is provided to determine interface dimensions and generic material of Agilent products.

#### Physical Dimensions:

Shipping Weight: 0.5 kg (1.1 lb)



#### Key Features

- Bi-directional, power can be transmitted in either direction.
- Excellent repeatability.
- Measurement versatility

Agilent K281C coaxial waveguide adapter provides a convenient way of coupling between waveguide and coaxial systems. Power can be transmitted in either direction and each adapter covers the full frequency range of its waveguide size. A step-like internal structure transforms the waveguide impedance to the 50 Ω impedance of the coaxial line.

#### Ordering Information:

K281C 18 to 26.5 GHz coaxial waveguide adapter

- Option 012 3.5 mm (male) connector





### Agilent Email Updates

[www.agilent.com/find/emailupdates](http://www.agilent.com/find/emailupdates)

Get the latest information on the products and applications you select.



[www.lxistandard.org](http://www.lxistandard.org)

LAN eXtensions for Instruments puts the power of Ethernet and the Web inside your test systems. Agilent is a founding member of the LXI consortium.

### Agilent Channel Partners

[www.agilent.com/find/channelpartners](http://www.agilent.com/find/channelpartners)

Get the best of both worlds: Agilent's measurement expertise and product breadth, combined with channel partner convenience.



Agilent Advantage Services is committed to your success throughout your equipment's lifetime. To keep you competitive, we continually invest in tools and processes that speed up calibration and repair and reduce your cost of ownership. You can also use Infoline Web Services to manage equipment and services more effectively. By sharing our measurement and service expertise, we help you create the products that change our world.

[www.agilent.com/find/advantageservices](http://www.agilent.com/find/advantageservices)



[www.agilent.com](http://www.agilent.com)  
[www.agilent.com/find/mta](http://www.agilent.com/find/mta)

For more information on Agilent Technologies' products, applications or services, please contact your local Agilent office. The complete list is available at:

[www.agilent.com/find/contactus](http://www.agilent.com/find/contactus)

#### Americas

Canada	(877) 894 4414
Brazil	(11) 4197 3500
Mexico	01800 5064 800
United States	(800) 829 4444

#### Asia Pacific

Australia	1 800 629 485
China	800 810 0189
Hong Kong	800 938 693
India	1 800 112 929
Japan	0120 (421) 345
Korea	080 769 0800
Malaysia	1 800 888 848
Singapore	1 800 375 8100
Taiwan	0800 047 866
Other AP Countries	(65) 375 8100

#### Europe & Middle East

Belgium	32 (0) 2 404 93 40
Denmark	45 70 13 15 15
Finland	358 (0) 10 855 2100
France	0825 010 700*
	*0.125 €/minute
Germany	49 (0) 7031 464 6333
Ireland	1890 924 204
Israel	972-3-9288-504/544
Italy	39 02 92 60 8484
Netherlands	31 (0) 20 547 2111
Spain	34 (91) 631 3300
Sweden	0200-88 22 55
United Kingdom	44 (0) 131 452 0200

For other unlisted countries:

[www.agilent.com/find/contactus](http://www.agilent.com/find/contactus)

Revised: June 8, 2011

Product specifications and descriptions in this document subject to change without notice.

© Agilent Technologies, Inc. 2011  
Published in USA, November 14, 2011  
5990-9520EN



**Agilent Technologies**